

|            |         |            |            |               |
|------------|---------|------------|------------|---------------|
| 記號<br>MARK | ECN NO. | 日期<br>DATE | 修改<br>DRAW | 核准<br>APPROVE |
|            |         |            |            |               |
|            |         |            |            |               |



**SPECIFICATION NOTES:**

**ELECTRICAL:**

- 1.VOLTAGE RATING: 125 VAC RMS
- 2.CURRENT RATING: 1.5 AMP
- 3.CONTACT RESISTANCE: 20mΩ MAX.
- 4.INSULATION RESISTANCE: 1000MΩ MIN. AT500V DC.
- 5.DIELECTRIC STRENGTH: 1000 V AC OR 1500V DC RMS AT 0.5mA 50 Hz / 60 Hz FOR 1MINUTE

**MECHANICAL:**

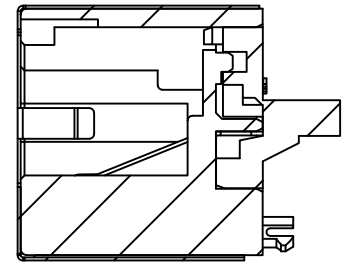
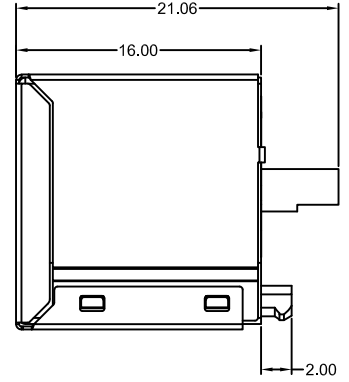
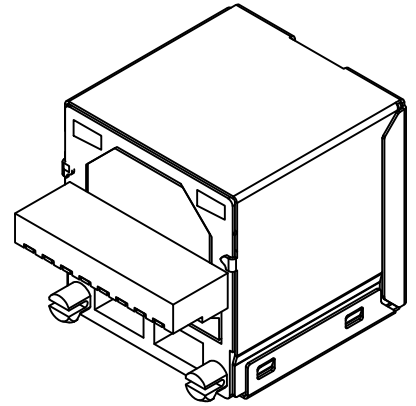
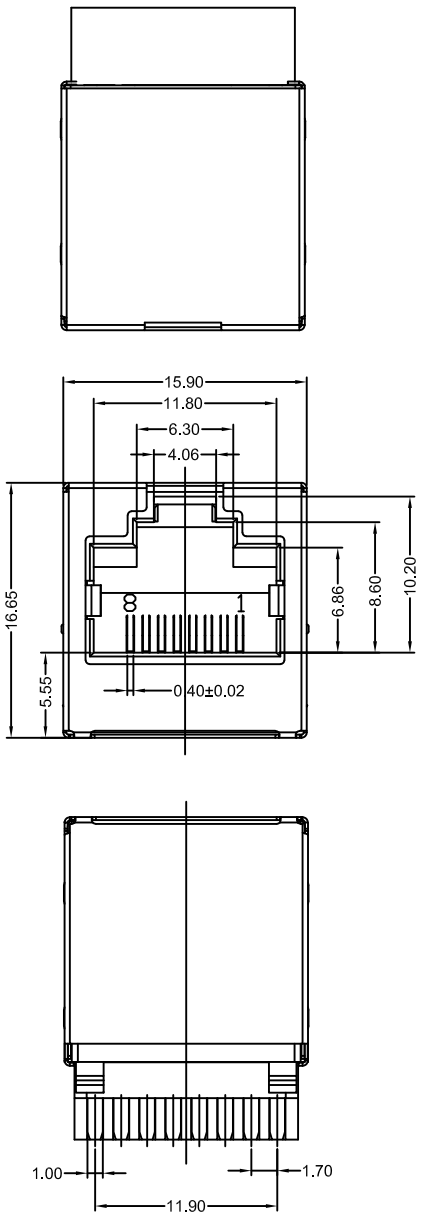
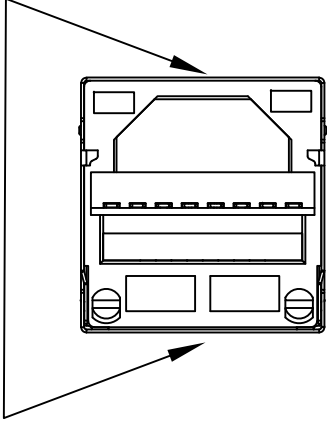
- 1.HOUSING:PBT+25%GF, UL94-V0
- 2.CONTACT:PHOSPHOR BRONZE T=0.25MM
- 3.PLATING:GOLD PLATING G/F AT CONTACT AREA, MATTE TIN AT TAIL 80U MIN., NICKEL 30U MIN. OVER ALL.
- 4.SHELL:BRASS T=0.20
- 5.OPERATING LIFE:750 CYCLES MIN.
- 6.MATING/UNMATING FORCE: 30N/3.06KGf MAX.
- 7.RETENTION STRENGTH:50N OR 30N MIN.FOR 60S±5S

**ENVIRONMENTAL:**

- 1.STORAGE:-40°C TO +85°C RELATIVE HUMIDITY<80%
- 2.GUARANTEE PERIOD:12 MONTHS
- 3.OPERATION: -40°C TO +85°C

ZL: 2022 2 0770244.8

地线焊接位置



|                       |  |   |
|-----------------------|--|---|
| 屏蔽壳<br>Shell          | <input checked="" type="checkbox"/> 黄铜<br>Brass <input type="checkbox"/> 铁<br>Spcc         Au: <input type="checkbox"/> G/F" <input type="checkbox"/> 1u" <input type="checkbox"/> 3u" <input checked="" type="checkbox"/> Ni <input checked="" type="checkbox"/> 80u" | 1 |
| 胶壳                    | <input checked="" type="checkbox"/> PBT <input type="checkbox"/> LCP 后塞 <input type="checkbox"/> PBT <input checked="" type="checkbox"/> LCP   | 1 |
| 金片 (PIN针)<br>Contacts | <input type="checkbox"/> 黄铜<br>Brass <input checked="" type="checkbox"/> 磷铜<br>Phosphor copper   | 8 |
|                       | <input type="checkbox"/> G/F" <input type="checkbox"/> 1u" <input checked="" type="checkbox"/> 3u" <input type="checkbox"/> 6u" <input type="checkbox"/> 15u" <input type="checkbox"/> 30u" <input type="checkbox"/> 50u" <input type="checkbox"/> OTHER               |   |

# Coorle Technology

|  |                                 |             |             |            |
|--|---------------------------------|-------------|-------------|------------|
| 品名规格<br>DESCRIPTION  | RJ45 8P8C 方形 焊线式 屏蔽 B款          |             | 页次<br>SHEET | 1/1        |
| 产品编号<br>PRODUCT NO   | 单位<br>UNIT                      | mm          | 比例<br>SCALE | 1:1        |
|  |                                 |             | 版本<br>EDITI | A/0        |
| DIMENSION IN mm (Inch)<br>TOLERANCE UNLESS OTHERWISE SPECIFIED | 第三视角法<br>THIRD ANGLE PROJECTION | 制图<br>DRAWN | Bruce       | 日期<br>DATE |
| x. x ±0.30   | ANGLES                          | 核对<br>CHECK | 魏开江         | 日期<br>DATE |
| x. xx ±0.2   | <b>X:±0°</b>                    | 批准<br>APPRO |             | 日期<br>DATE |
| x. xxx ±0.12   | <b>.X±0.0°</b>                  |             |             | 2024. 6. 3 |